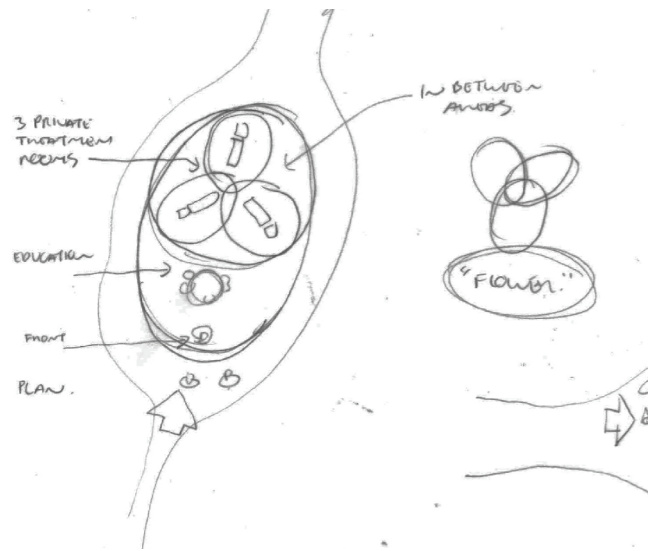


Dove Pavilion- Los Angeles, New York, Philadelphia 2009



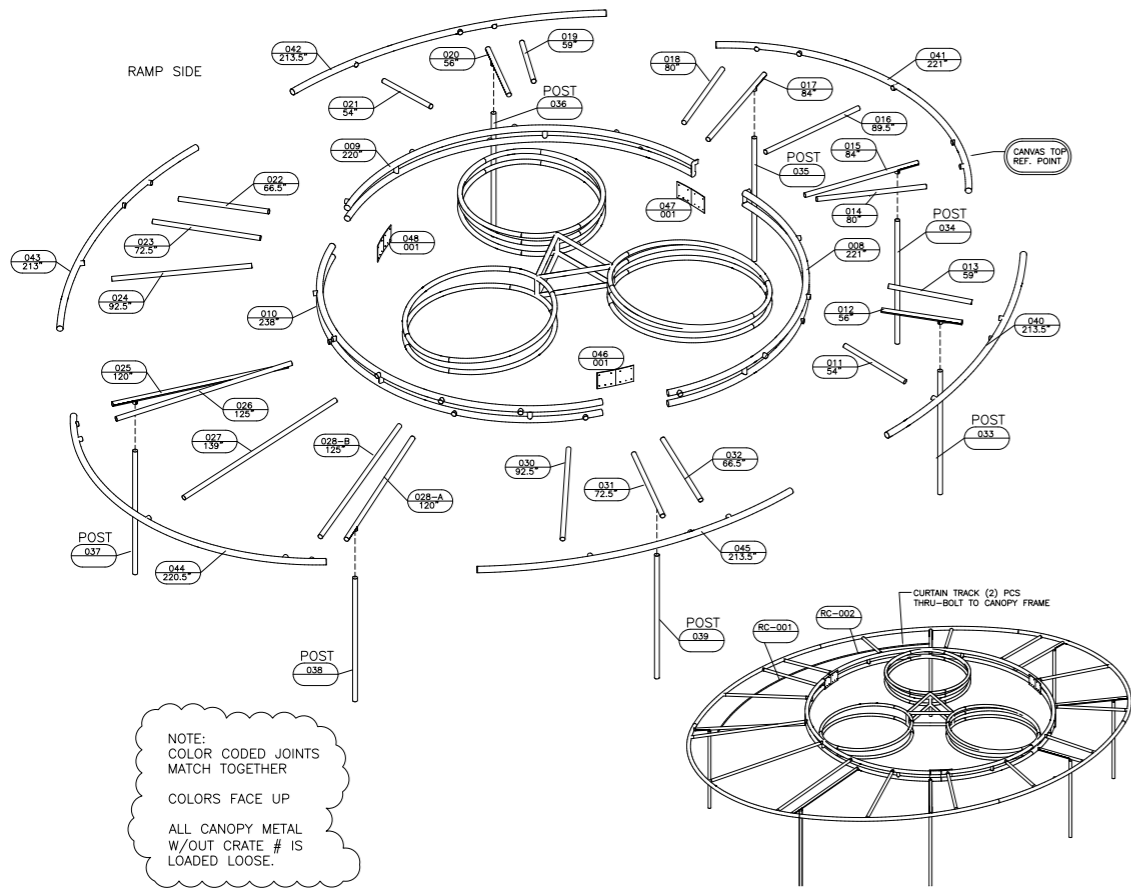
Concept sketch showing three treatment pods



Plan of the pavilion



External view



Assembly drawing of the roof canopy

The travelling, weatherproof Dove pavilion was designed to be transported in a single articulated truck and set up in only 12 hours. The simple design, promoting a new women's deodorant - is based upon three eggs in a nest.

Designed in the UK, constructed in Oregon, USA by Pinnacle Exhibits, the pavilion is weather proof and was erected inside and outside. So far it has toured Los Angeles, New York and Philadelphia. A collaboration with Cunning New York.

Aerial View



Treatment rooms

Information Area



Los Angeles set up